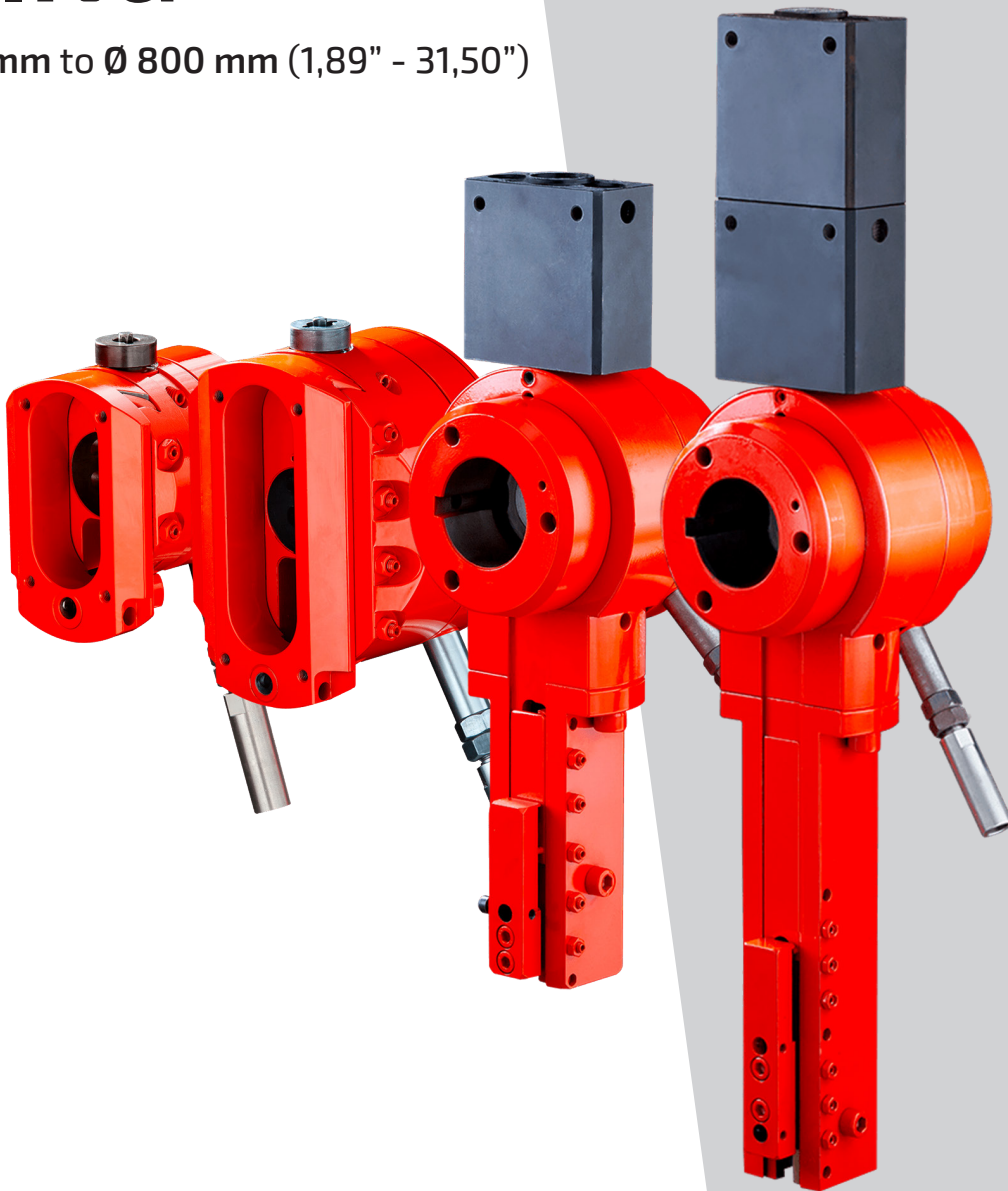


# KIT FACING

from  $\emptyset$  48 mm to  $\emptyset$  800 mm (1,89" - 31,50")



# FACING

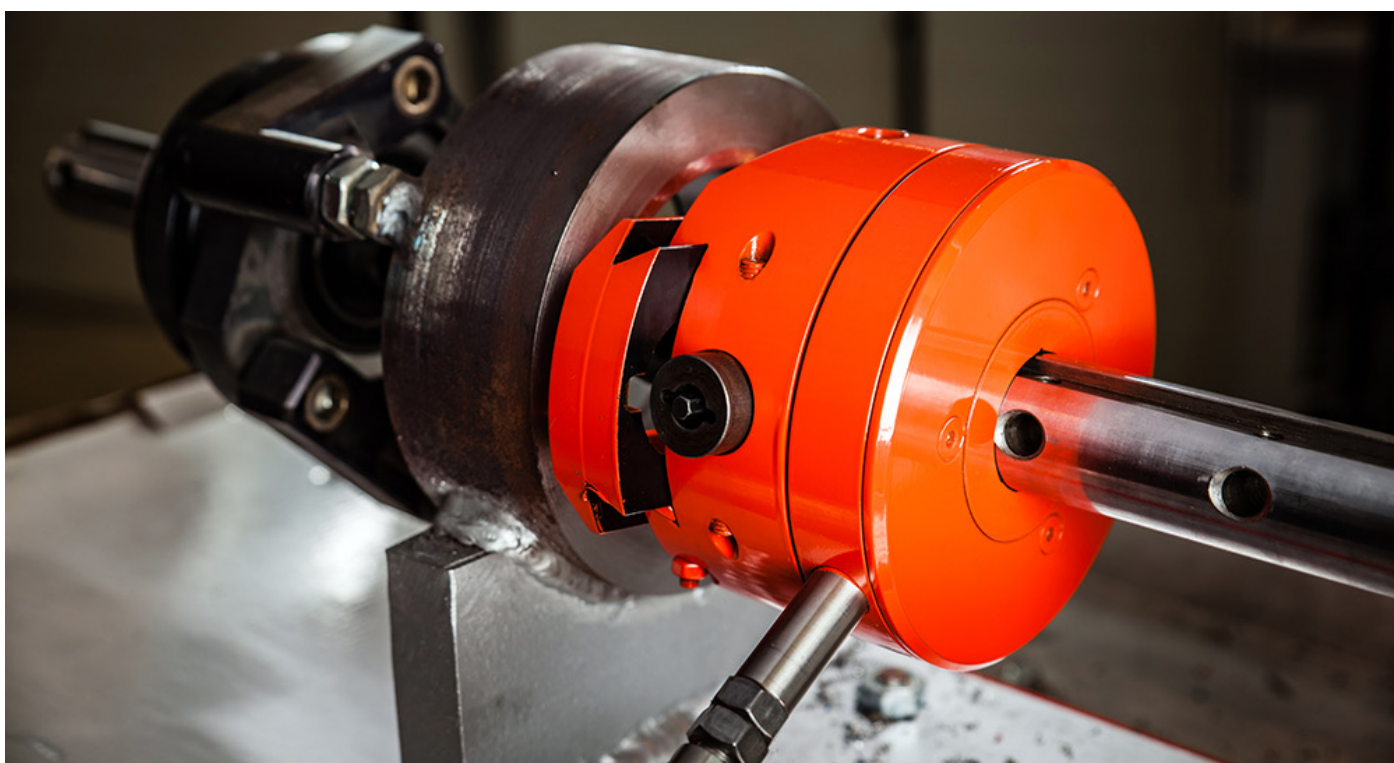


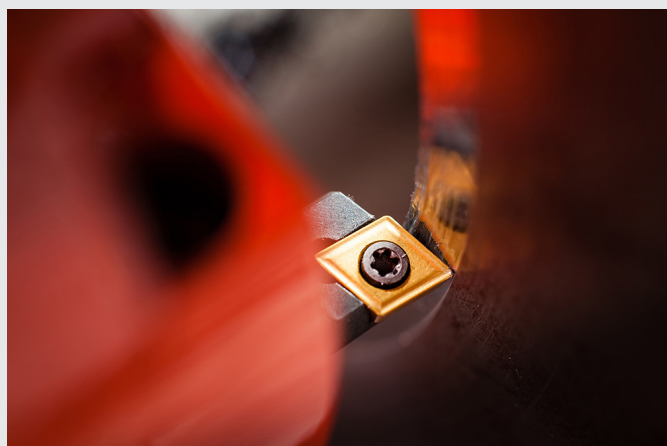
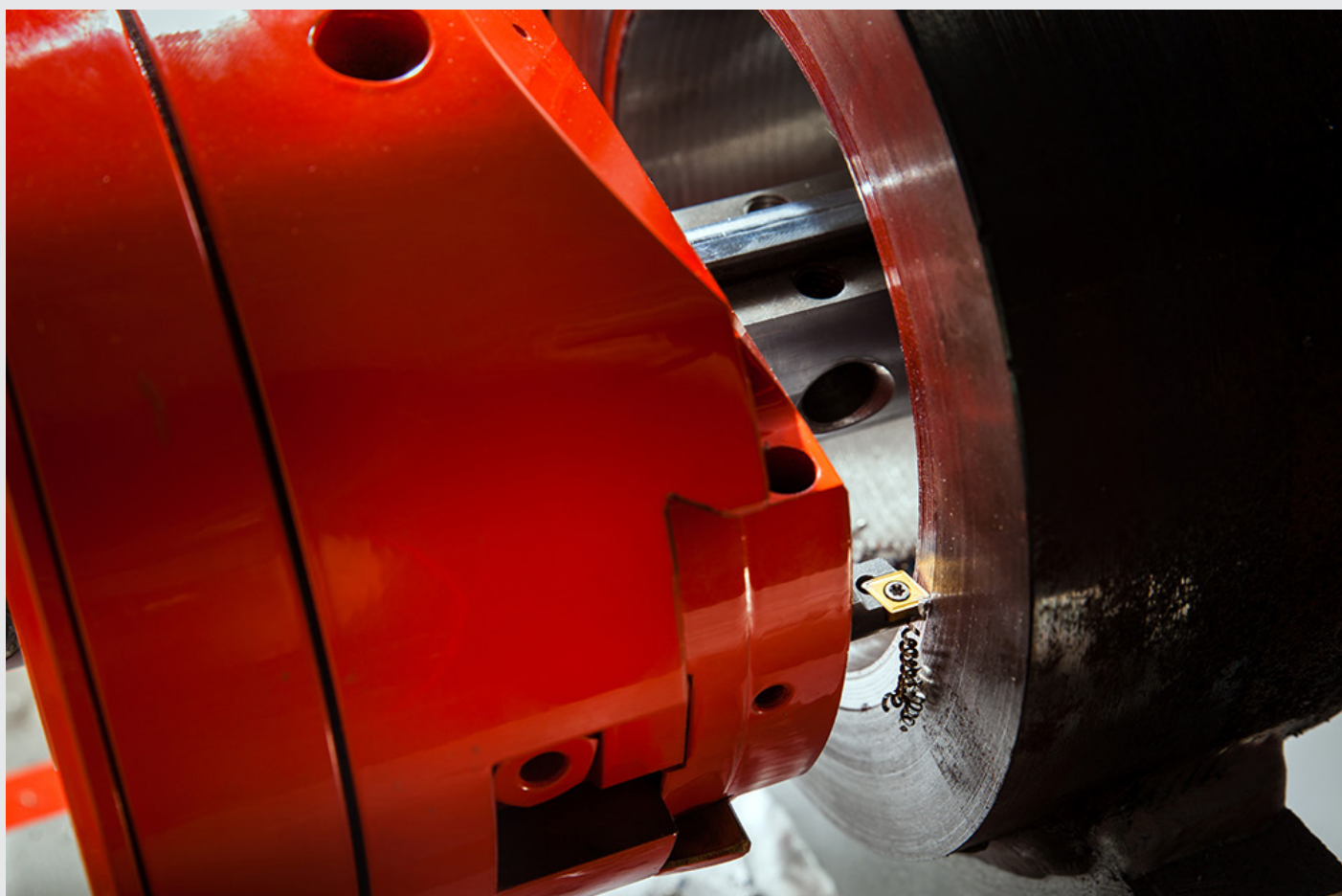
The kit has been designed to give great versatility of use to the portable boring machines of the **Supercombinata** series. It consists in a facing head allowing turning operations on orthogonal planes and the creation of seats for seeger circlips and o-rings, by using standard cutting-edges from **Ø 48 mm to Ø 800 mm**.

## MODELS

KES00186*	EASY / EASY Compact / SC1 / SC2 / SC3	Ø 48 - 255 mm (1,89" - 10,04")
KES00200*	SC1 / SC2 / SC3	Ø 56 - 400 mm (2,20" - 15,75")
KES00363	SC2 / SC3	Ø 228 - 500 mm (8,98" - 19,68")
KES00364	SC3	Ø 376 - 800 mm (14,80" - 31,50")

\*SC2 / SC3 compatible by using KEP00687



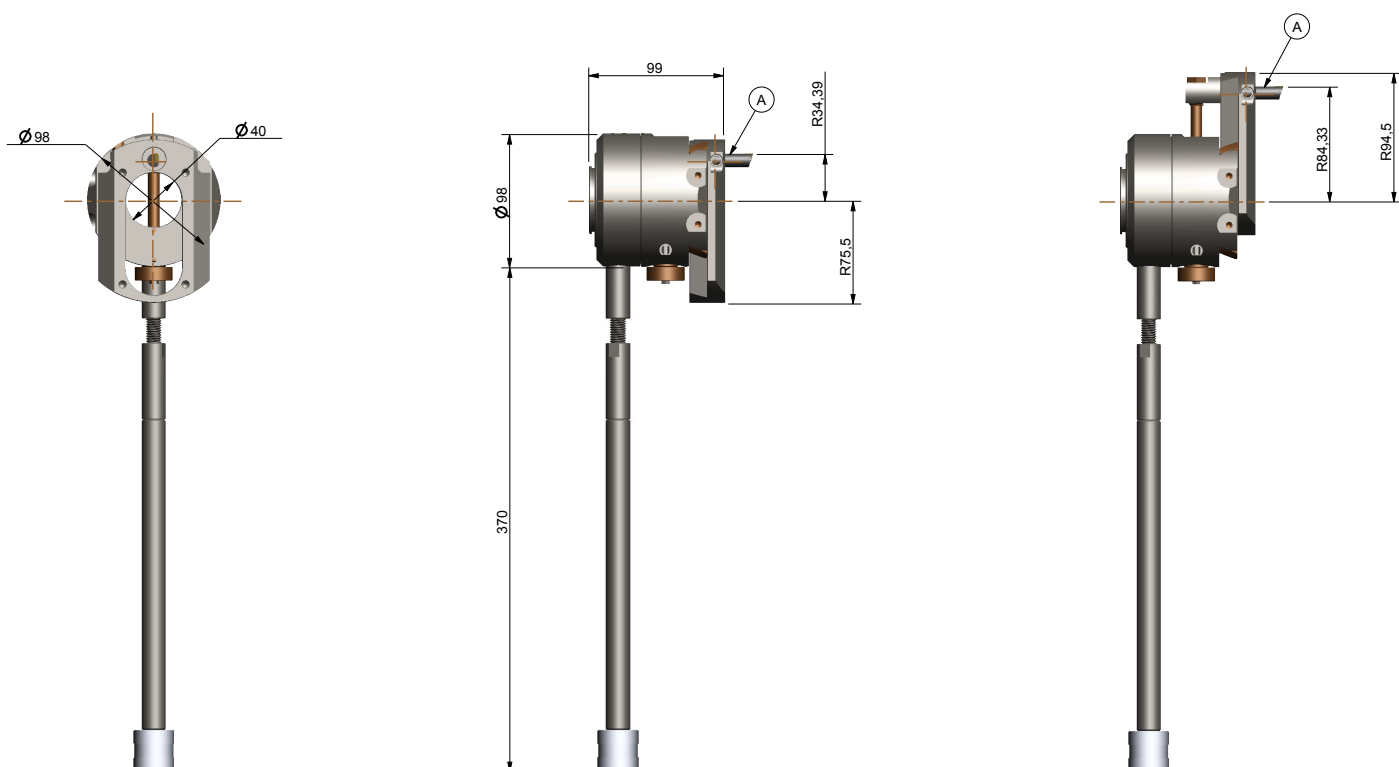


## KES00186

from min d. 48 mm to max d. 255 mm

With tool as in (fig. A): from min d. 70 mm to max d. 165 mm

By inverting the tool as in (fig. A) from max d. 146 mm to min d. 48 mm

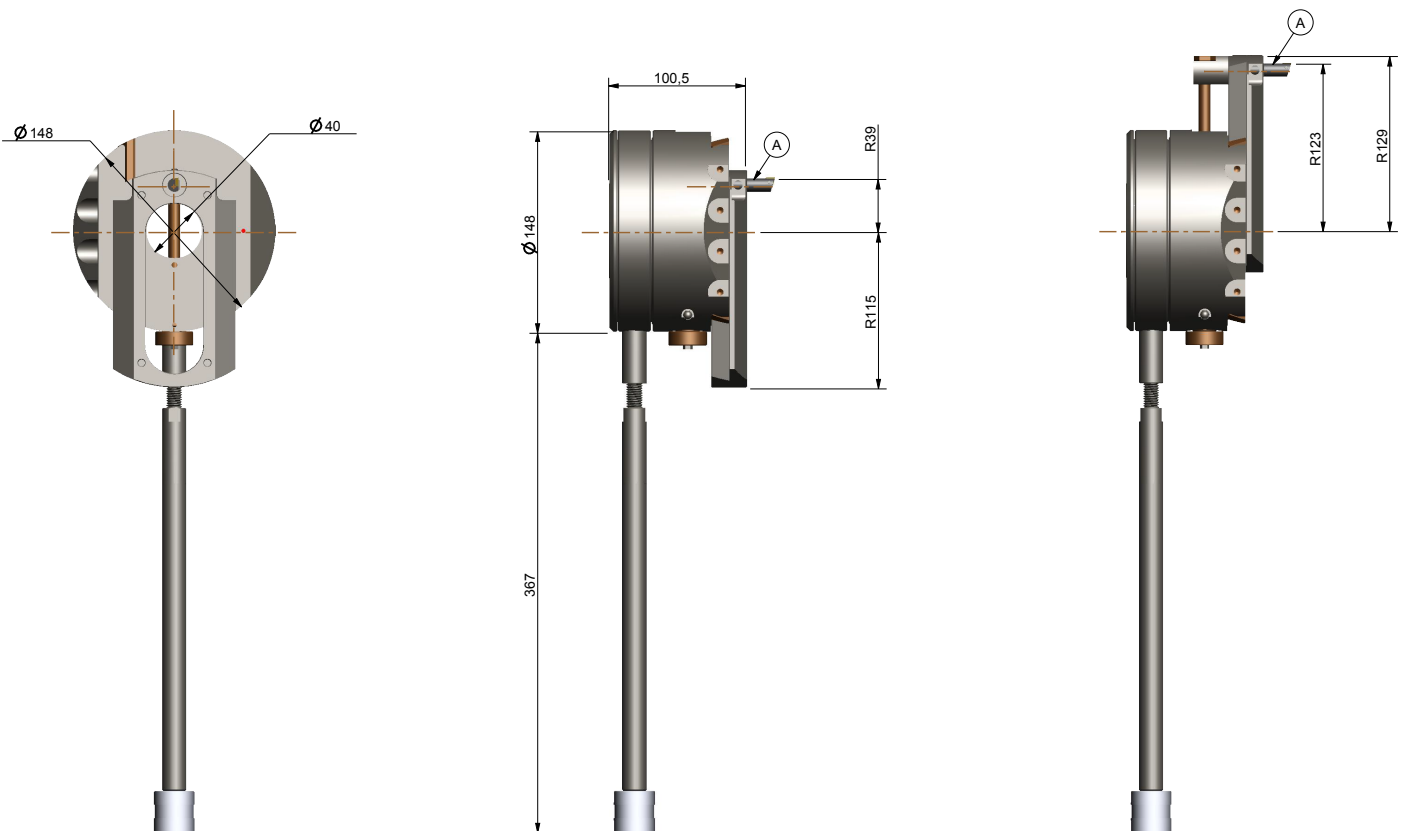


## KES00200

from min d. 56 mm to max d. 400 mm

With tool as in (fig. A): from min d. 80 mm to max d. 240 mm

By inverting the tool as in (fig. A) from max d. 224 mm to min d. 56 mm

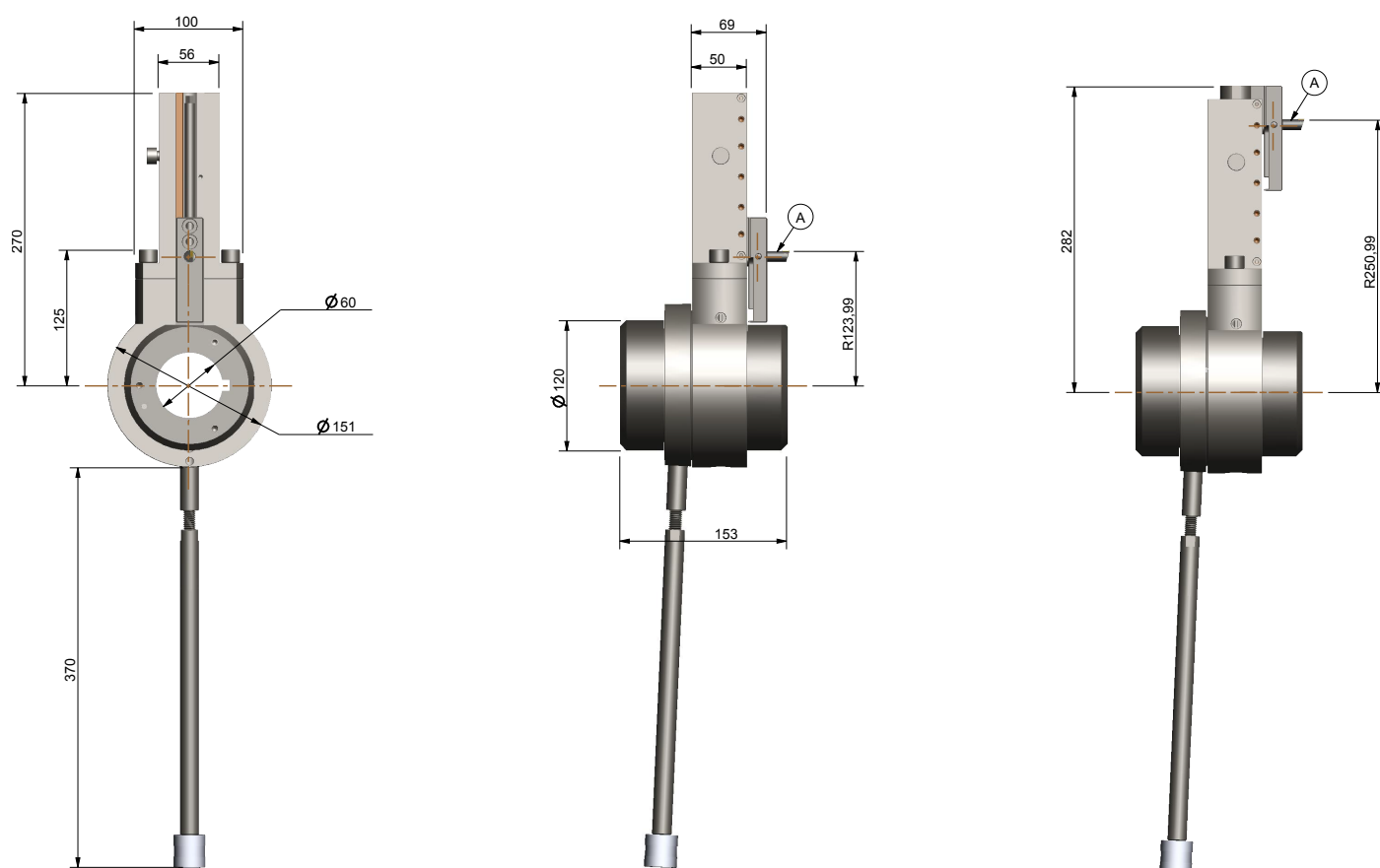


## KES00363

from min d. 228 mm to max d. 500 mm

With tool as in (fig. A): from min d. 250 mm to max d. 500 mm

By inverting the tool as in (fig. A) from max d. 480 mm to min d. 228 mm

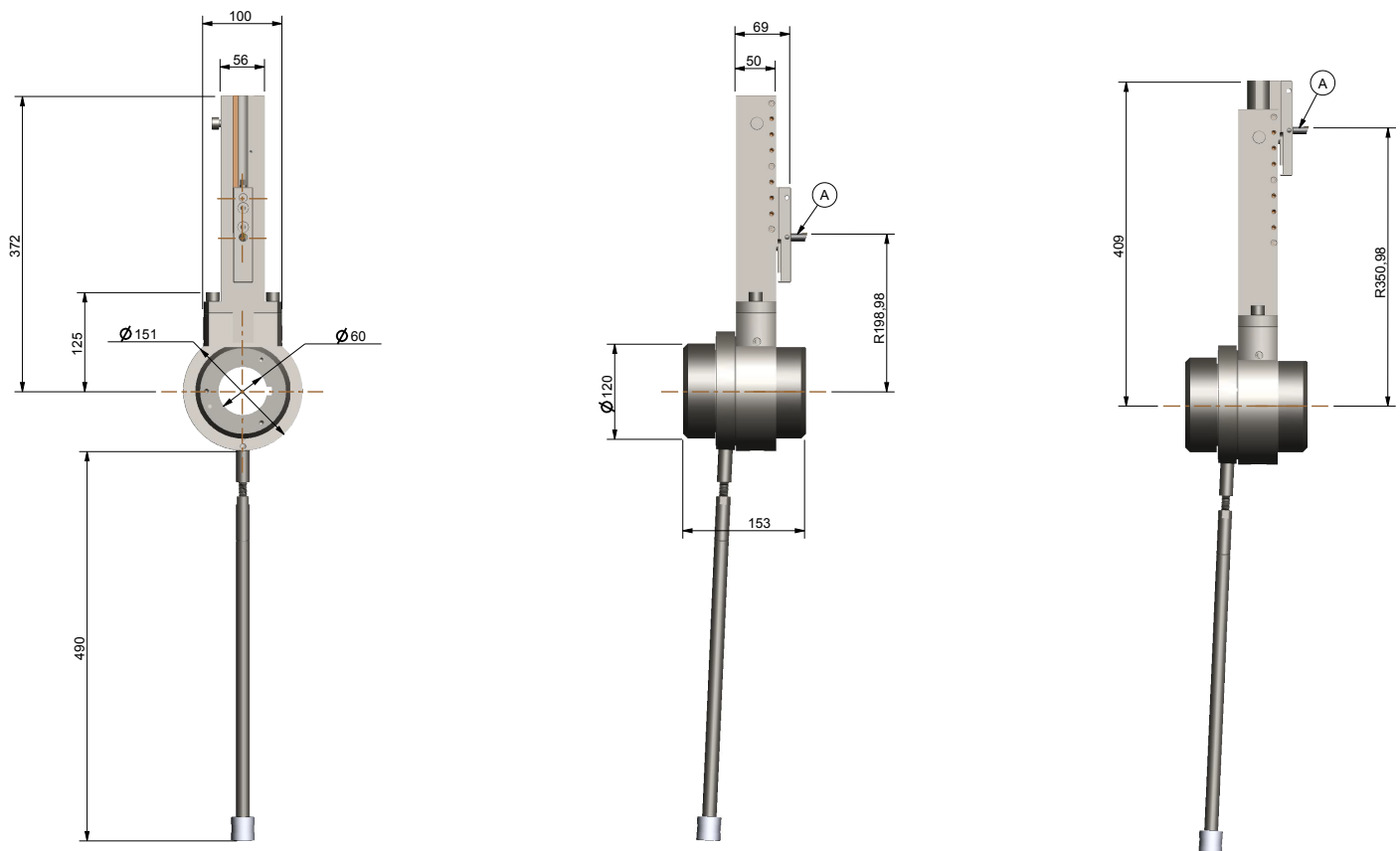


## KES00364

from min d. 376 mm to max d. 800 mm

With tool as in (fig. A): from min d. 400 mm to max d. 700 mm

By inverting the tool as in (fig. A) from max d. 680 mm to min d. 376 mm





# Stessen kotter- machines

[www.kottermachines.nl](http://www.kottermachines.nl)  
[info@stessen.com](mailto:info@stessen.com)  
+31(0)45-5445588

Sourethweg 5D - 6422PC Heerlen



Elsa Srl  
Località La Petrizia SS 106  
88050 Sellia Marina (CZ) - Italia  
Tel: (+39) 0961 962854  
Fax: (+39) 0961 968716  
[info@elsasrl.com](mailto:info@elsasrl.com)

[www.elsasrl.com](http://www.elsasrl.com)

EN

KIT FACING